

# Caravan Industry Association of Victoria workshop AS/NZS5601.2 amendments

Enzo Alfonsetti  
Chairman AG006 committee

# Topics

- What is ESV and what does it do?
- Enforcement of amendments
- Compliance
- Access to manual shut off valves
- LPG cylinder clearances
- LPG cylinder compartments and lockers
- Thread types for fittings
- Electrical isolation of gas appliances
- Gas BBQs and radiant heaters for outdoor use
- Leakage tests
- Consumer instructions
- Obtaining the amendments

# What is ESV and what does it do?

- Energy Safe Victoria (ESV) is the independent technical regulator responsible for electricity, gas and pipeline safety in Victoria.
- ESV oversees the safety of Type A gas appliances, gas components and electrical equipment in Victoria.
- ESV processes applications for complex and Type B gas installations and inspects some of these installations.

# Enforcement of amendments

- Amendment 1 was published on 11/05/2016 and is enforced in Victoria as of that date.
- AS/NZS5601.2 is adopted by the Gas Safety (Installation) Regulations 2008 as published or amended from time to time.
- <http://www.esv.vic.gov.au/Legislation-Regulations/Legislation-administered-by-ESV>

# Compliance

- The amendments do not apply retrospectively to existing installations
- The amendments do apply to any repair or modification that is made to an existing installation and only to that aspect of the installation.
- The service/ repair of a gas appliance does not constitute a repair of the installation in the context of clause 1.5.

# Accessibility of manual shut off valves

- Manual shut off valves used to isolate gas to appliances must be readily accessible. The performance based clause 2.9.7 was amended to reflect the existing deemed to satisfy provision in clause 5.2.7.1

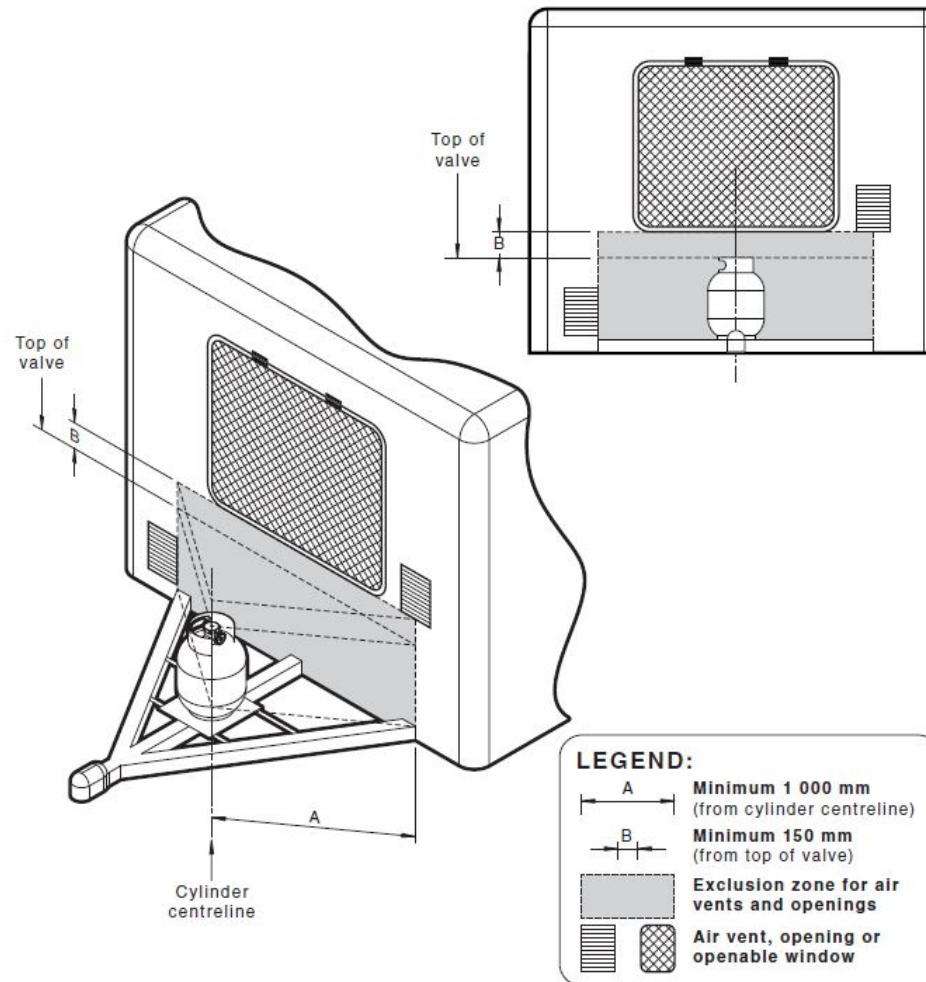
- Definition of *readily accessible*:

Access can be gained without hazard, undue difficulty, or use of a tool.

# LPG cylinder clearances

- Clearance requirements from LPG cylinders to openings into the living space of caravans were reintroduced.
- In AS5601:2004 these clearances were applicable to buildings, caravans and boats.
- In 2010 the standard was republished in two parts. The clearance requirements were unintentionally not included for caravans.

# LPG cylinder clearances



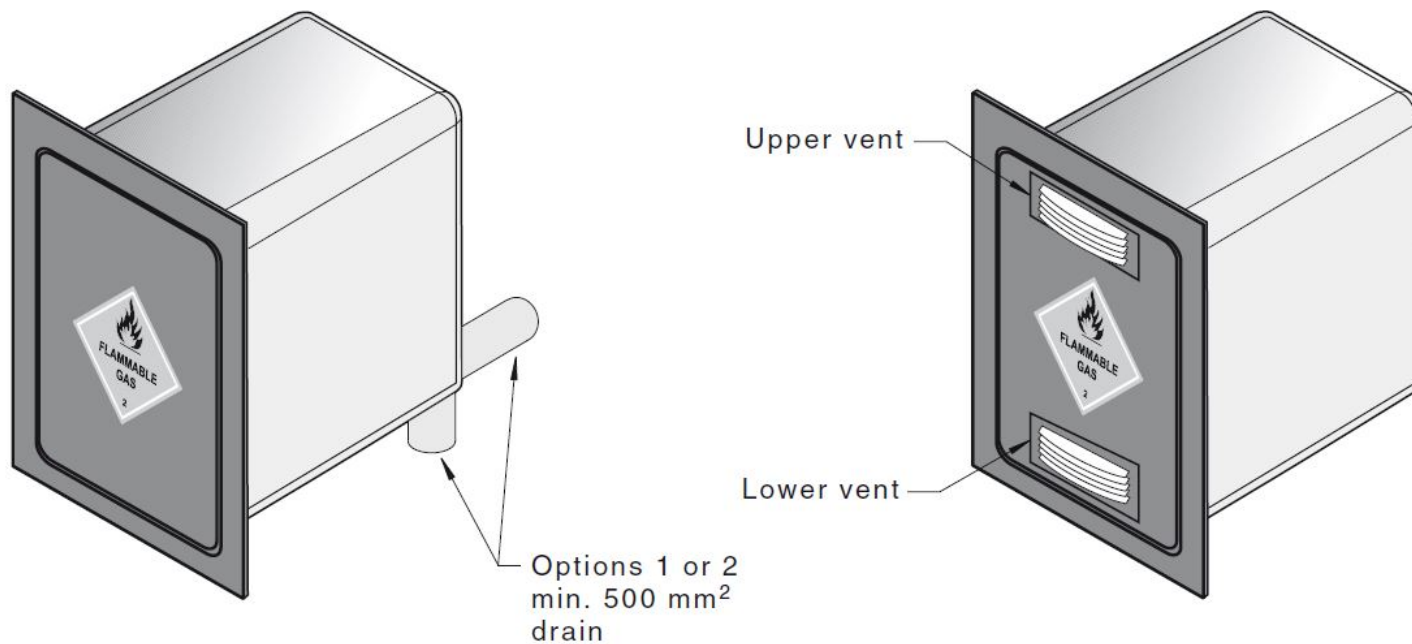
NOTE: The clearances and exclusion zone apply to air vents and openings into the living space of a caravan.



# LPG cylinder compartments and lockers

- 500mm<sup>2</sup> drain required within 25mm of the base or alternatively an upper and lower vent in the compartment door.
- Upper and lower vents in the compartment door must each have a minimum free area of 5000mm<sup>2</sup>
- Drains and vents must meet the clearance requirements to ignition sources and openings into the living space of caravans.

# LPG cylinder compartments and lockers



Copied by Energy Safe Victoria with the permission of Standards Australia under Licence 1607-c021

# LPG cylinder compartments and lockers

- Further clarification is required on clearance requirements from LPG cylinders in recessed compartments with sealed access doors.
- Future consideration will be given to either an additional marking to keep the compartment door closed when using gas or an interlock on the compartment door to isolate the gas when the door is left open.

# Thread types for fittings

- Copper flared compression fittings must comply with either AS3688 or AS D26 on both the high pressure and low pressure side of the gas installation.
- Table 5.1 to be amended to correct reference to AS D26 on high pressure side for capillary fittings which should be low pressure side for copper flared compression fitting.

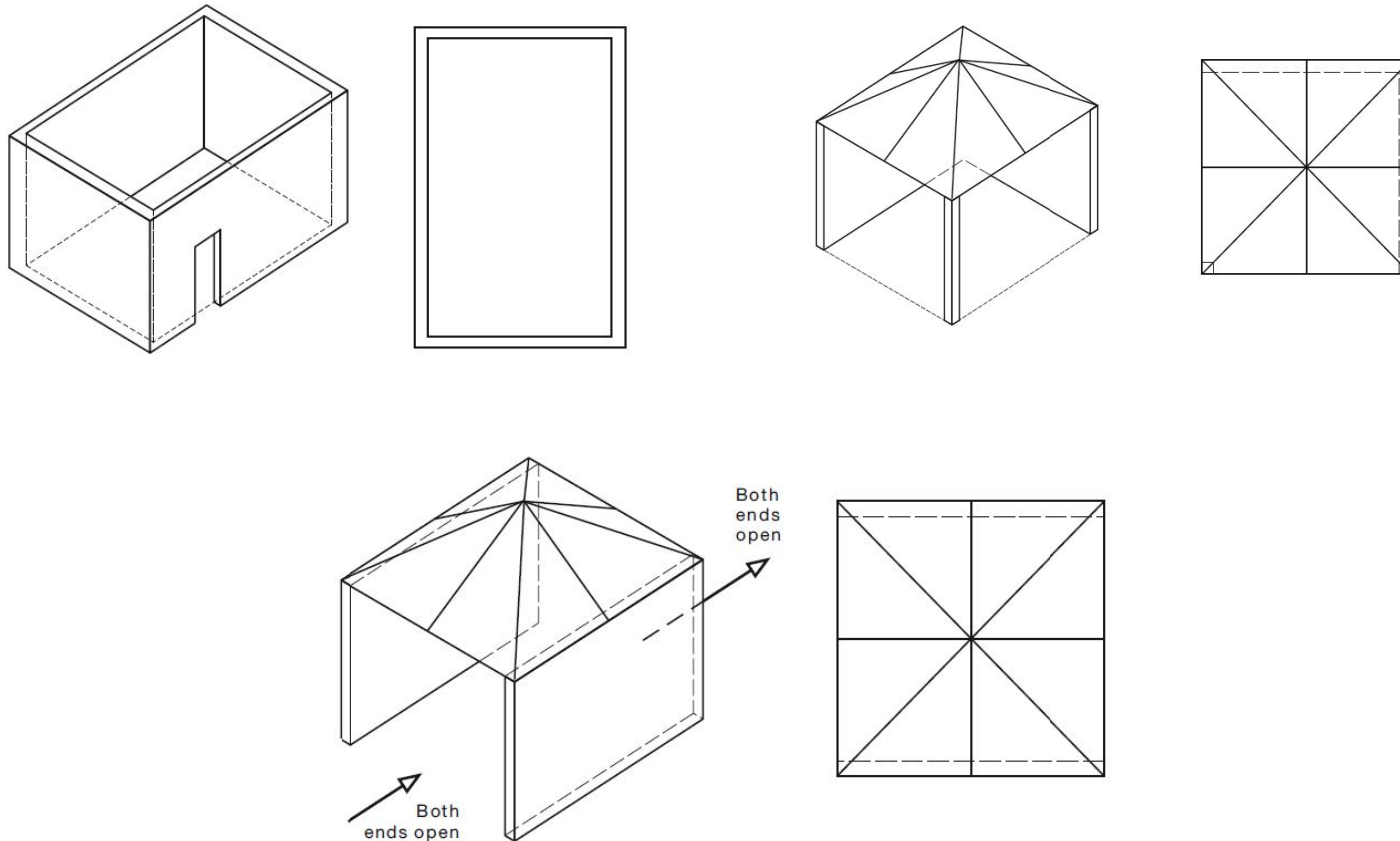
# Electrical isolation of gas appliances

- Electrical isolation for gas appliances must be *readily accessible*
- A *readily accessible* switch to an inaccessible socket outlet is deemed compliant.
- A switch in an adjoining cupboard which can be accessed without a tool and with hazard or difficulty is deemed compliant; e.g. without climbing or having to remove obstructions.

# Gas barbecues and radiant gas heaters for outdoor use

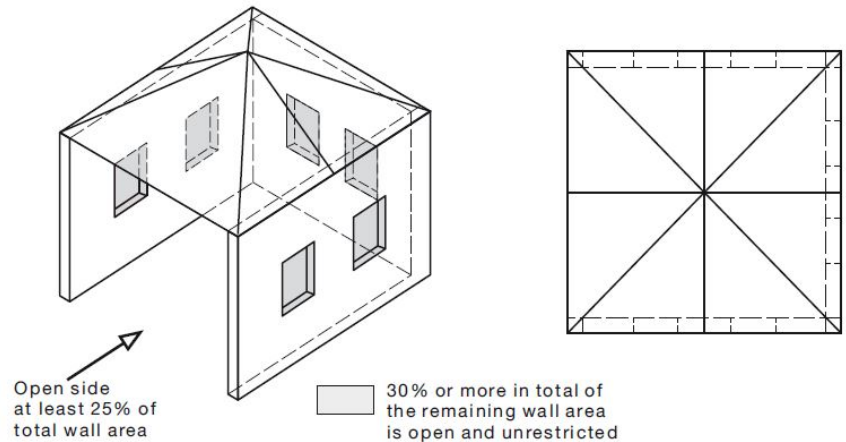
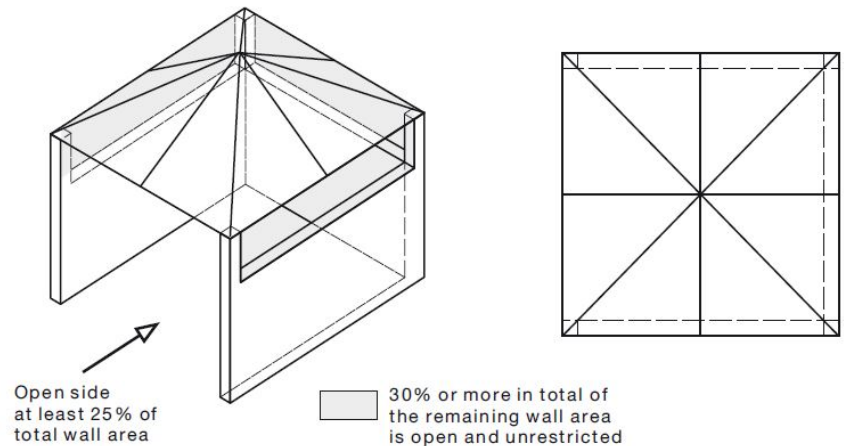
- Installed gas BBQs and radiant heaters for outdoor use must be installed in areas deemed to be outdoors
- This requirements does not apply to appliances that are certified as a domestic cooking appliance such as a slide out kitchen in an annex.

# Gas barbecues and radiant gas heaters for outdoor use



Copied by Energy Safe Victoria with the permission of Standards Australia under Licence 1607-c021

# Gas barbecues and radiant gas heaters for outdoor use



Copied by Energy Safe Victoria with the permission of Standards Australia under Licence 1607-c021



# Leakage testing

- AS5601:2004 leakage test was at 7kPa or 1.5 times operating pressure, whichever greater.
- Gas appliances must comply with 14kPa leak test in order to be certified.
- Over pressure protection allows for the gas installation to be exposed up to 14kPa in the event of a failure.

# Leakage testing

- Amended leak test is now conducted in two stages.
  1. Pipework strength test conducted at 14kPa with installation disconnected from regulator and all isolation valves to gas appliances closed.
  2. Gas tightness test at operating pressure with gas installation connected to regulator and all isolation valves to gas appliances open.

# Consumer instructions

- Gasfitters must ensure that caravan manufacturers have consumer instructions in accordance with appendix G which can be supplied to the purchaser of the caravan.
- Consumer instructions are to include the location and accessibility of flexible hoses and the need for regular inspection by a competent person.

# Purchasing or obtaining the amendments

- Amendments can be downloaded for free from the SAI Global website  
<https://infostore.saiglobal.com/store/>
- First time users will need to register on the website in order to login and obtain the amendments
- The complete standards with amendments included are not available for free